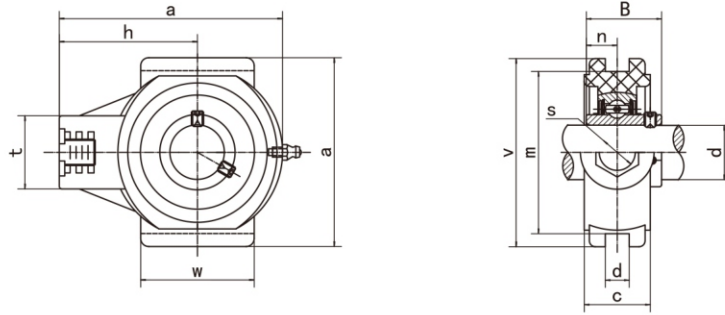


Thermoplastic Housed Take-up Units



Unit NO.	Dimensions (mm / in.)												Bearing No.	Housing No.	Weight (kg)
	d	a	c	d	h	m	s	t	v	w	B	n			
SS-UCTPL204	3/4 20	99.0 3-57/64	27.5 1-5/64	12.0 15/32	64.0 2-33/64	76.0 2-63/64	M16	36.0 1-27/64	88.0 3-15/32	47.0 1-27/32	31.0 1.221	12.7 0.500	SS-UC204	TPL204	0.35
SS-UCTPL205	13/16 ; 7/8 ; 15/16 ; 1 25	99.0 3-57/64	27.5 1-5/64	12.0 15/32	64.0 2-33/64	76.0 2-63/64	M16	36.0 1-27/64	88.0 3-15/32	47.0 1-27/32	34.1 1.343	14.3 0.563	SS-UC205	TPL205	0.40
SS-UCTPL206	1-1/16 ; 1-1/8 ; 1-3/16 ; 1-1/4 30	125.0 4-59/64	34.5 1-23/64	12.0 15/32	76.0 2-63/64	89.0 3-1/2	M16	40.0 1-37/64	102.0 4-1/64	63.0 2-31/64	38.1 1.500	15.9 0.626	SS-UC206	TPL206	0.55
SS-UCTPL207	1-1/4 ; 1-5/16 ; 1-3/8 ; 1-7/16 35	125.0 4-59/64	34.5 1-23/64	12.0 15/32	76.0 2-63/64	89.0 3-1/2	M16	40.0 1-37/64	102.0 4-1/64	63.0 2-31/64	42.9 1.689	17.5 0.689	SS-UC207	TPL207	0.80
SS-UCTPL208	1-1/2 ; 1-9/16 40	140.0 5-33/64	34.5 1-23/64	16.0 5/8	85.0 3-11/32	102.0 4-1/64	M16	40.0 1-37/64	114.0 4-31/64	80.0 3-5/32	49.2 1.937	19.0 0.748	SS-UC208	TPL208	0.95
SS-UCTPL209	1-5/8 ; 1-11/16 ; 1-3/4 45	149.0 5-55/64	40.0 1-37/64	16.0 5/8	90.0 3-35/64	102.0 4-1/64	M20	50.0 1-31/32	117.0 4-39/64	85.0 3-11/32	49.2 1.937	19.0 0.748	SS-UC209	TPL209	1.10
SS-UCTPL210	1-13/16 ; 1-7/8 ; 1-15/16 ; 2 50	149.0 5-55/64	40.0 1-37/64	16.0 5/8	90.0 3-35/64	102.0 4-1/64	M20	50.0 1-31/32	117.0 4-39/64	85.0 3-11/32	51.6 2.032	19.0 0.748	SS-UC210	TPL210	1.25
SS-UCTPL211	2 ; 2-1/16 ; 2-1/8 ; 2-3/16 55	171.0 6-47/64	38.0 1-1/2	22.0 55/64	106.0 4-11/64	130.0 5-1/8	M20	64.0 2-33/64	146.0 5-3/4	95.0 3-47/64	55.6 2.189	22.2 0.874	SS-UC211	TPL211	1.62
SS-UCTPL212	2-1/4 ; 2-5/16 ; 2-3/8 ; 2-7/16 60	194.0 7-41/64	42.0 1-21/32	22.0 55/64	119.0 4-11/16	130.0 5-1/8	M20	64.0 2-33/64	146.0 5-3/4	102.0 4-1/64	65.1 2.563	25.4 1.000	SS-UC212	TPL212	1.78